



AlphaESS Australia

Leading Brand in Energy Storage



Operating in Australia for over **10** years.
Choice for over **50,000** Australian customers.

Your Partner in
Every Endeavour

01 ABOUT ALPHAESS

- Who We Are
- AlphaESS Australia

02 PRODUCTS & SOLUTIONS

- Residential ESS
- Commercial & Industrial ESS

03 CASE STUDIES

- Residential ESS
- Commercial & Industrial ESS

01

ABOUT ALPHAESS

- Who We Are
- AlphaESS Australia



“ Make clean energy accessible to everyone in the world.

WHO WE ARE

AlphaESS is a leading global green energy storage solution and service provider. With expertise in BMS, EMS, system integration, and cloud monitoring, we excel in providing tailored solutions for a wide range of applications, including residential, commercial & industrial, and utility-scale projects.

AlphaESS has 40+ subsidiaries and branches worldwide, including China, Germany, Australia, Italy, the United Kingdom, South Africa, Singapore, Malaysia, and more. With over 200,000 systems actively running across 130+ countries, we have built a comprehensive global supply chain and logistics network.



130 +

Countries & Regions



200,000 +

Systems Installed Globally



13 +

Years of Industry Experience



250 +

Patents in the ESS field

Discover more: www.alphaess.com

TOP 1

2022-2023 TOP 1
Australia Market Share
from SunWiz



ESG Transparency
Award

TOP 5

2023 H1 TOP 5
Residential ESS Provider in Germany
from EUPD Research



iF & Reddot & G-mark
Design Award

TOP 6

2021 TOP 6 supplier of
global residential storage systems
from IHS Markit



TOP BRAND PV
(STORAGE & INVERTERS)

Global Service Network



300+

Global Service Network

Key Networks

- Asia: China, Singapore, Malaysia, The Philippines, Myanmar, Indonesia, Uzbekistan, Japan
- Europe: Germany, United Kingdom, Italy, Belgium, Netherlands, France, Czech Republic, Spain
- Oceania: Australia, New Zealand, Fiji, New Caledonia
- Americas: United States, Guam, Hawaii, Colombia
- Africa: South Africa, Kenya, Nigeria



 United States

 Cayman

40+

Subsidiaries

4

Production Centers

China: Nantong (Tongzhou & Qidong), Ulanqab

Malaysia: Kulim



4

R&D Centers

Nantong, Suzhou, Nanjing, Tianjin



Headquarters



Subsidiary



Production Center

*China: Nantong (Tongzhou & Qidong), Suzhou, Nanjing, Ulanqab, Beijing, Tianjin, Shenzhen, Guangzhou, etc.

ALPHAESS AUSTRALIA

2015

AlphaESS Australia was established

2017

One of only two manufacturers in South Australia listed as a Relevant Agent for the API control technology of Internet connected inverters

2016

Launched "All-in-One" residential ESS in Australia

2019

- Launched the SMILE5 system
- Held the No.1 market share in Australia





2021

Top Brand PV - Storage in Australia issued by EUPD Research



2024

Your Partner in Every Endeavour

2023

- Your Partner in VPP
- Top Brand PV - Storage in Australia issued by EUPD Research



Local Service



30+

Local Service Personnel



5

Service Points Across
Five States



How to find us?



Hotline

(02) 9000 7676

7:00 AM - 5:00 PM



Email

Sales Dept: australia@alpha-ess.com

Tech Dept: techsupport@alphaess.au



Monitoring Platform

AlphaCloud / AlphaPartner



Website

www.alphaess.au

Customer Service

AlphaESS provides timely and efficient after-sales support to our installers, end users and other partners in a variety of ways.

- **Technical Support:**

Dedicated customer service from start to finish with our service staff.

- **AlphaCloud:**

A lifetime-free energy management and monitoring platform for All AlphaESS systems.

- **AlphaPartner:**

Exclusive service platform for AlphaESS' partners including distributors and installers.



Individual Account



Instant Messaging



Work Order Management



*Service items may vary by country/region, please contact your local AlphaESS business manager for further details.

AlphaPartner
(Web + App)

AlphaCloud
(Web + App)

02

PRODUCTS & SOLUTIONS

- Residential ESS
- Commercial & Industrial ESS

Residential ESS

AlphaESS provides energy storage solutions for households.

With the AlphaCloud monitoring platform, users can fully enjoy the economic benefits and convenience of smart energy management.



01

New Installation

DC-Coupled



Model	SMILE-G3-S3.6	SMILE-G3-S5
Nominal Output Power	3.6 kW	5 kW
Phase	Single Phase	Single Phase
Capacity	4 - 16 kWh	10.1 - 60.6 kWh



Faster Response for
VPP Control



Built-in Changeover
Switch Functionality



24/7 Online Monitoring



All-in-One



UPS Ability

02

Added-On Installation

AC-Coupled



Datasheet



Datasheet

Model	SMILE-B3-Plus	SMILE-G3-B5
Nominal Output Power	3 kW	5 kW
Phase	Single Phase	Single Phase
Capacity	5.04 - 30.24 kWh	10.1 - 60.6 kWh



Switch Built-in Installation-free



All-in-One



Exclusive Products for Added-On
Energy Storage System

03

New Product *(Coming Soon!)*

AlphaESS Australia is excited to announce the upcoming launch of the SMILE-M5, designed to deliver an unparalleled installation experience. This innovative product simplifies system configuration steps and eliminates the need for manual cable connections between stacked batteries. Additionally, the introduction of battery content aerosols significantly reduces the potential risk of fire, ensuring the safety of homeowner's property. With a large allowable PV installed capacity, the SMILE-M5 maximises homeowner's investment and empowers them to embrace a sustainable energy future with confidence.



SMILE-M5

Nominal Output Power: 5 kW

Capacity: 5 - 20 kWh

Phase: Single Phase



Plug In & Power Up
with Ease



Efficiently Reduce Fire
Hazards



Expert in All-in-One
System



Get More Out of Every
kWh Installed



Datasheet



Exclusive Partner Service — AlphaPartner (Preview Version)



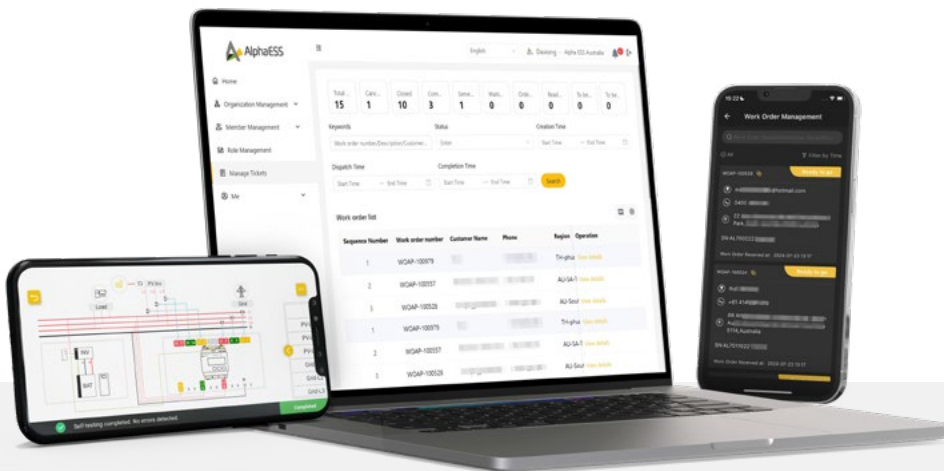
Quick Self-Check and Accurate Diagnosis

Automatic fault point identification and repair guidance



Work Order Tracking and Service Guidance

Real-time logistics status updates and step-by-step service instructions



Scan the QR code to download AlphaPartner App.



Commercial & Industrial ESS





High Energy Density



Cell-Level Constant
Temperature Control



Enhanced Electrical
Protection



Intelligent Fire Protection

01

Applications



Schools, Hospitals and Banks

Energy Efficiency for Vital Spaces
Where Every Watt Matters



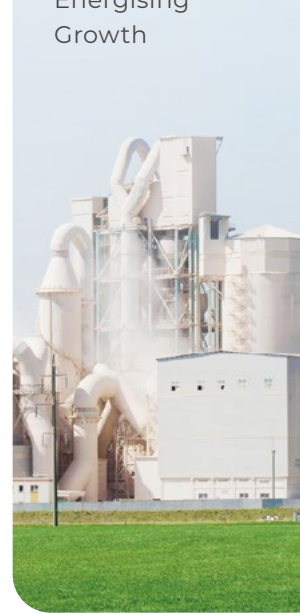
Commercial Office Buildings

Energy Resilience for
Business Excellence



Small Factories

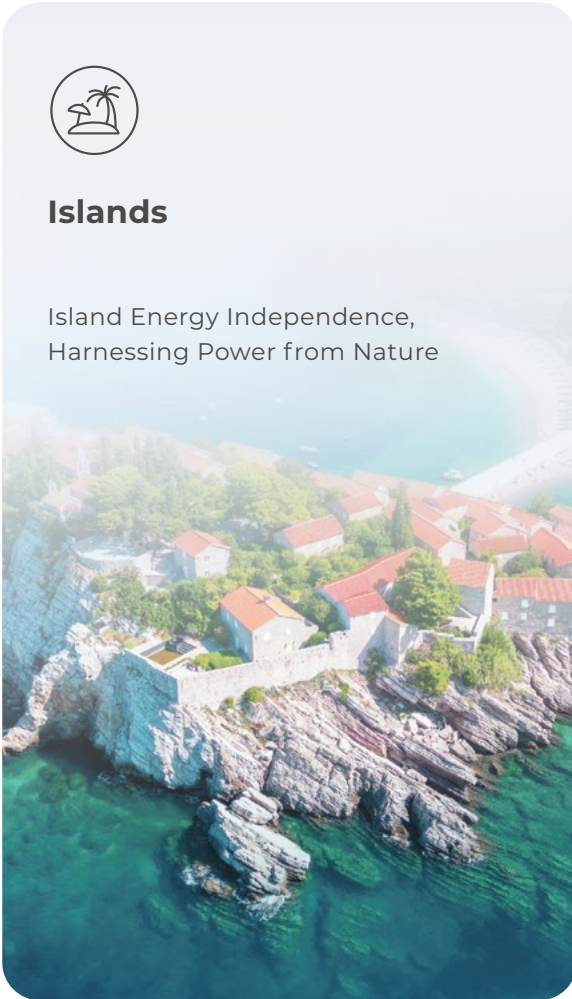
Fueling
Industry,
Energising
Growth





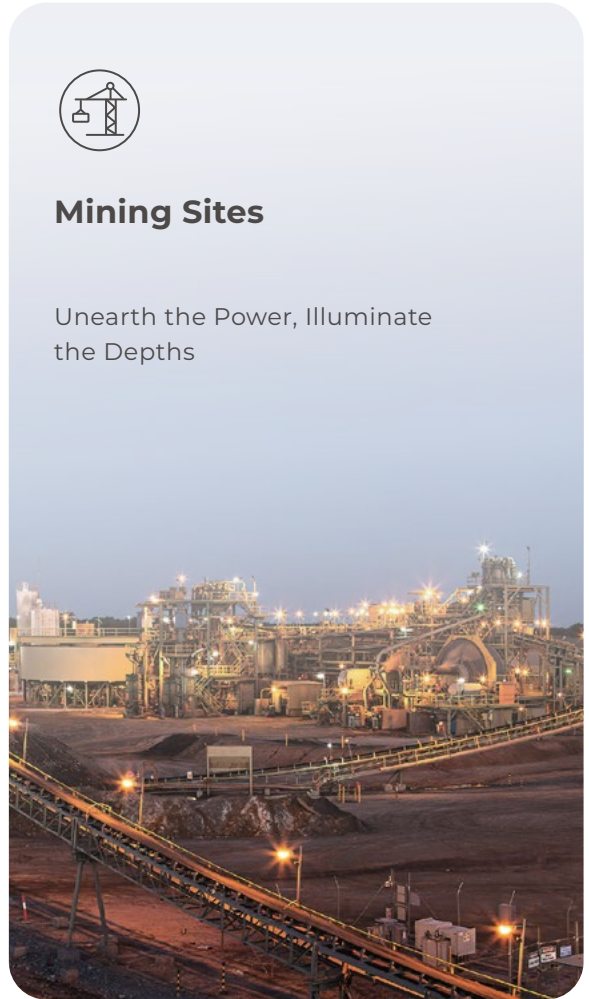
Islands

Island Energy Independence,
Harnessing Power from Nature



Mining Sites

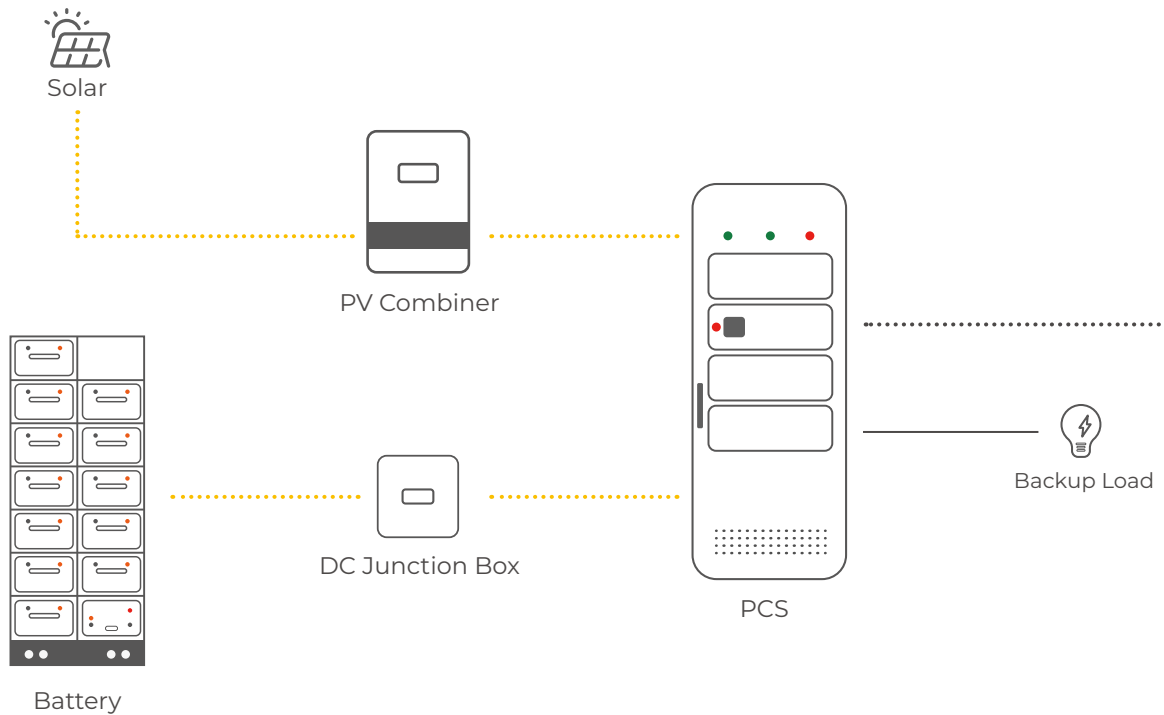
Unearth the Power, Illuminate
the Depths

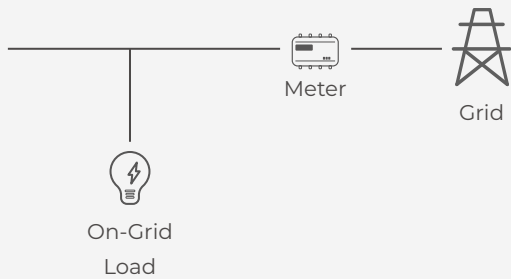


02

Solutions

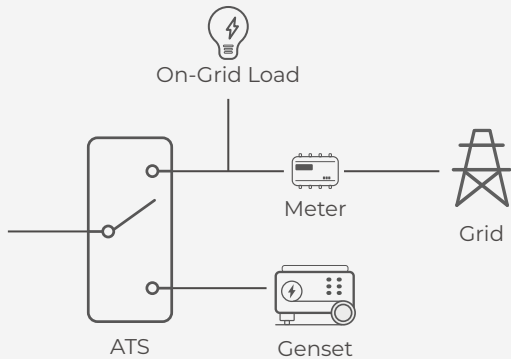
► DC-Coupled System





OPTION 1 On-Grid System

The grid, solar, and battery can supply the load together, offering flexibility in setting priorities or selecting different operating modes. In the event of a grid outage, the on-grid load will be disconnected, and the system will seamlessly switch to supplying the backup load, keeping users unaffected by power disruptions.



OPTION 2 Dual Power Supply System

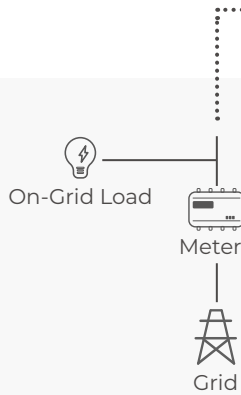
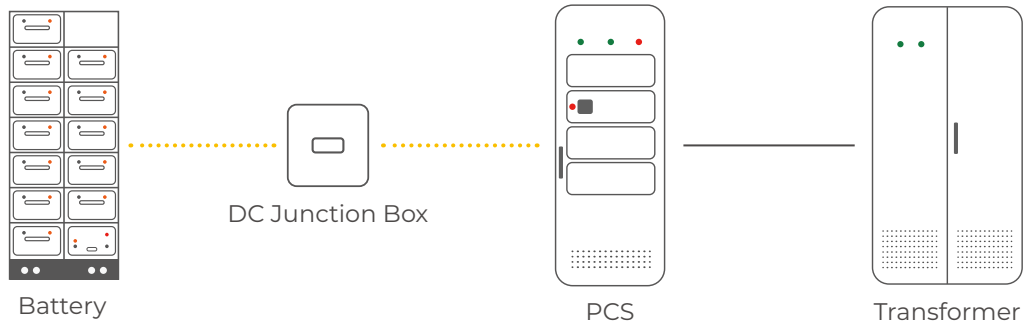
This solution requires an additional ATS device for seamless power source switching. In the event of a grid outage, the ATS will automatically switch to the generator side. The EMS controls the generator's operation, ensuring continuous power supply. This ensures that either the generator or the STORION system is always operational, guaranteeing uninterrupted backup power for essential loads.



OPTION 3 Off-Grid System

The generator is managed by the EMS via dry contact, allowing users to control its operation based on preset schedules, battery SOC, or manually. This setup ensures continuous operation of either the generator or the STORION system at any given time. Both the diesel generator and the STORION system work together seamlessly, guaranteeing a reliable power supply for users residing in remote off-grid areas.

► AC-Coupled System



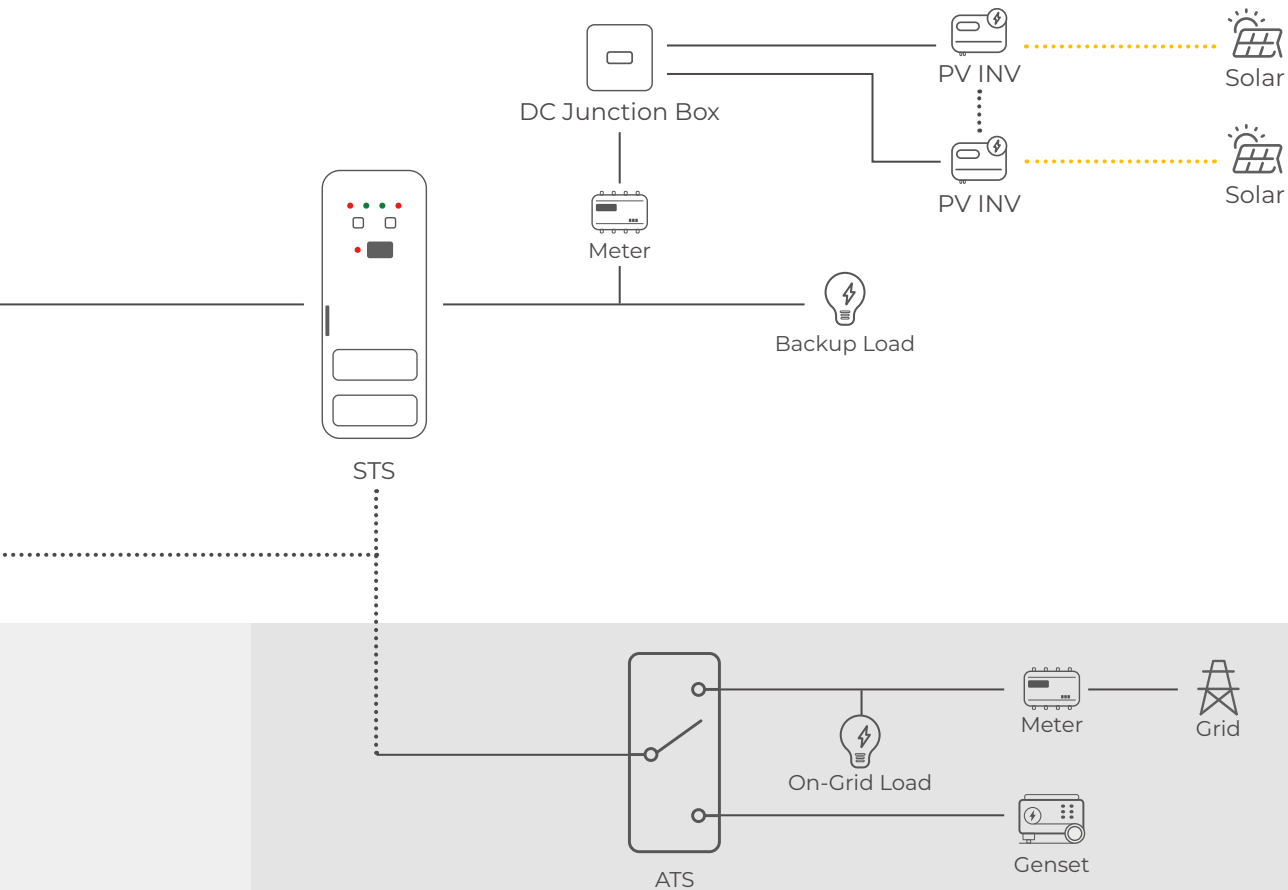
OPTION 1 On-Grid System

By integrating grid, solar, and battery sources, our system allows customers to select various operating modes. In the event of a grid outage, the on-grid load will be disconnected, and the system will automatically switch to supplying backup load, keeping users unaffected by power disruptions.



OPTION 2 Off-Grid System

The generator is managed by the EMS via dry contact, allowing users to control its operation based on preset schedules, battery SOC, or manually. This setup ensures continuous operation of either the generator or the STORION system at any given time. Both the diesel generator and the STORION system work together seamlessly, guaranteeing a reliable power supply for users residing in remote off-grid areas.



OPTION 3

Dual Power Supply System

This solution requires an additional ATS device for seamless power source switching. In the event of a grid outage, the ATS will automatically switch to the generator side. The EMS controls the generator's operation, ensuring continuous power supply. This setup ensures that either the generator or the STORION system is always operational, guaranteeing uninterrupted backup power for essential loads.

03

CASE STUDIES

- Residential ESS
- Commercial & Industrial ESS



100kW / 250kWh

PV + Storage + Off-Grid
Moomba, South Australia



100kW / 670kWh

PV + Storage + Microgrid
Fremantle, Western Australia





1

1 50kW / 200kWh
PV + Storage
Perth, Western Australia



2

2 50kW - 100kW /
100kWh - 300kWh
Solar-Battery-Diesel
Microgrid System
Myanmar, Southeast Asia



3

3 100kW / 206kWh
PV + Storage + Genset
Abu Dhabi, UAE



4

4 500kW / 1MWh
PV + Storage + Genset
Zimbabwe, Africa

Scan the QR code
for more details






AlphaESS Australia

Hotline: (02) 9000 7676 7:00 AM - 5:00 PM

Email: Sales Dept: australia@alpha-ess.com Tech Dept: techsupport@alphaess.au

Website: www.alphaess.au

Address: 8/15-21 Gibbes Street, Chatswood, NSW 2067 Australia

 [@AlphaEnergyStorageSystem](https://www.facebook.com/AlphaEnergyStorageSystem)

 [@AlphaESS](https://twitter.com/AlphaESS)

 [@alpha_ess](https://www.instagram.com/alpha_ess)

 [@AlphaESS Australia](https://www.linkedin.com/company/AlphaESS-Australia)

 www.alphaess.au